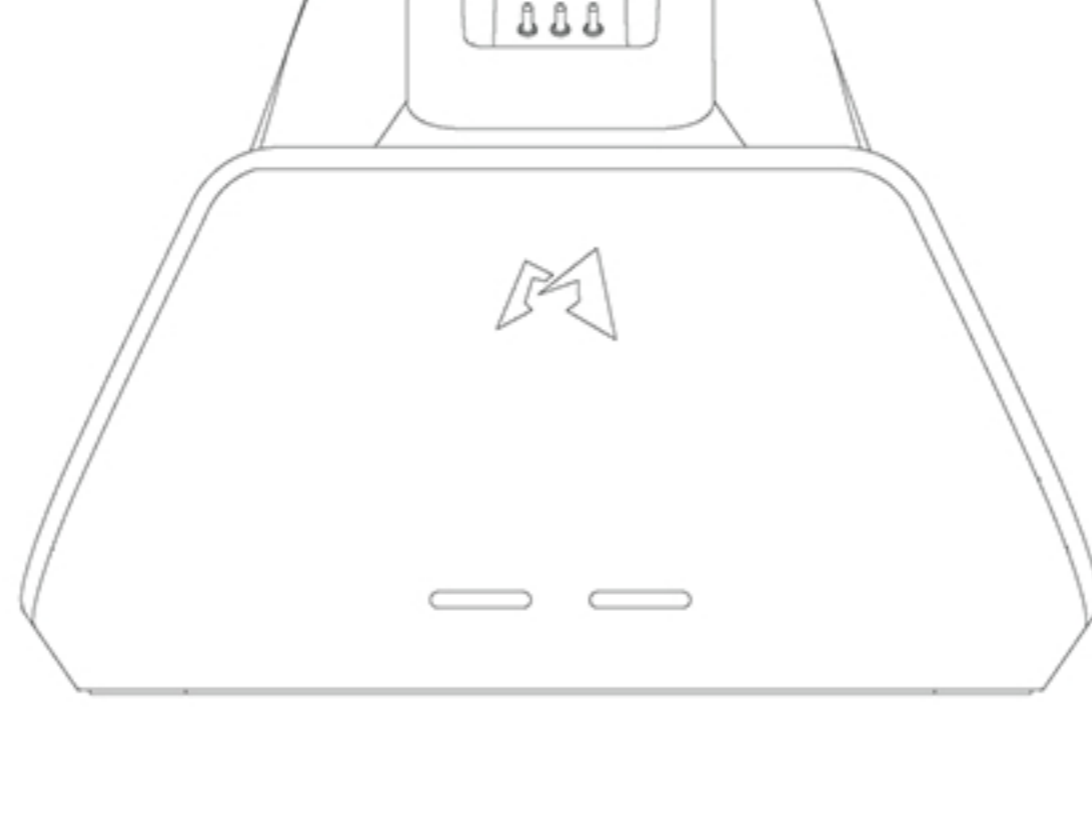




Mobapad Switch TV Docking Station

User Manual



Model No:M-A1

Product Specifications

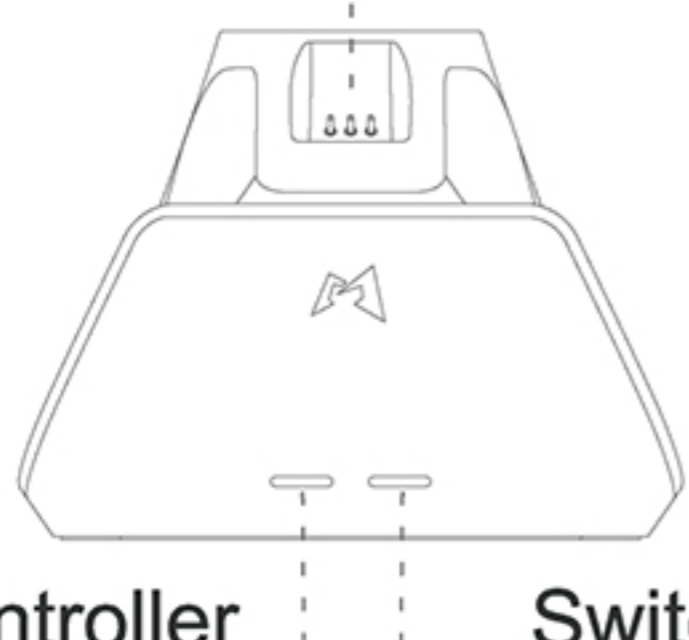
HDMI Resolution: 4K/30Hz(Compatible with lower resolutions)
USB A Port: USB 3.0 (5Gbps)
USB C Port: Supports PD (100W)
Applicable Devices: Nintendo Switch, JoyCon, Switch Pro, Pro-HD

Size: 134.5*115*88.4mm

Product Functions

This versatile product can be used to connect your Nintendo Switch to a large-screen TV for display and charging, as well as for charging the original Switch Pro controller and Mobapad Pro-HD controller.

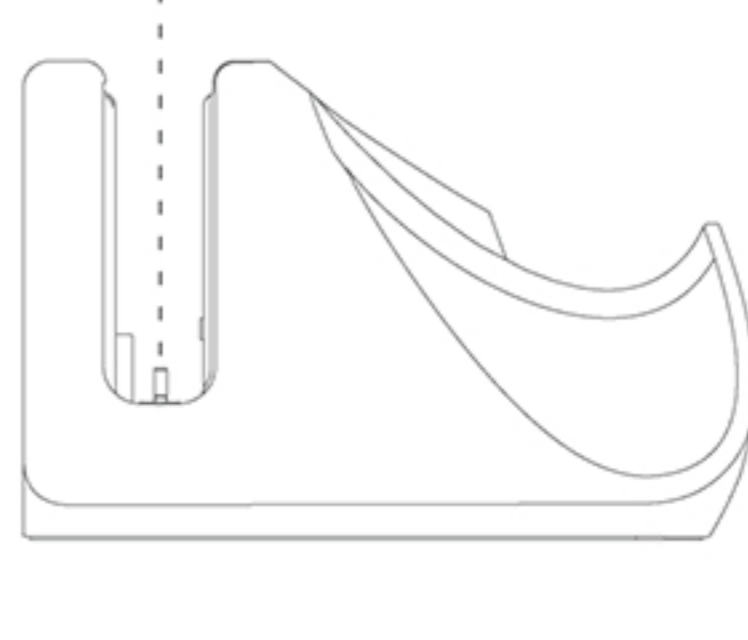
Controller charging



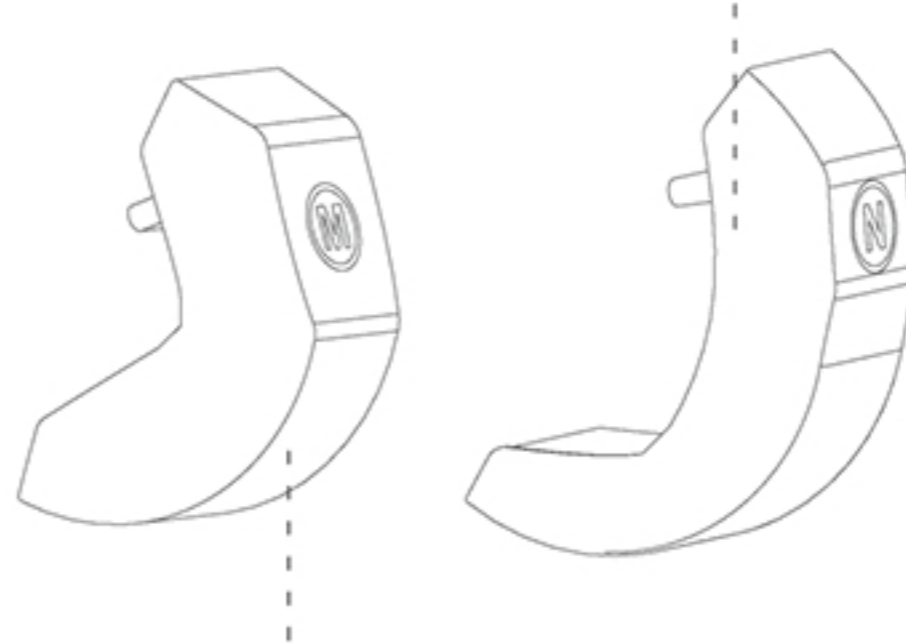
Controller charging indicator light

Switch charging indicator light

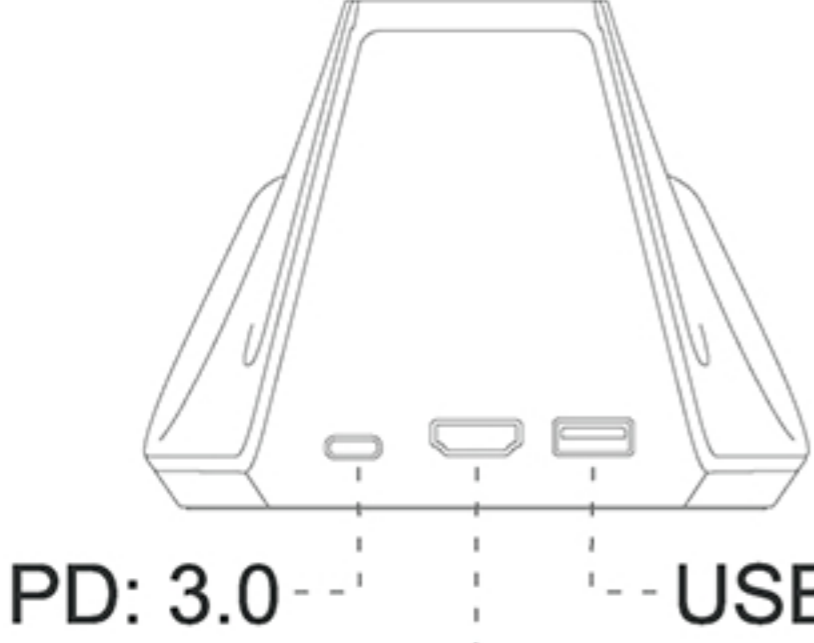
Switch console charging



Switch Pro charging adapter



Pro-HD charging adapter



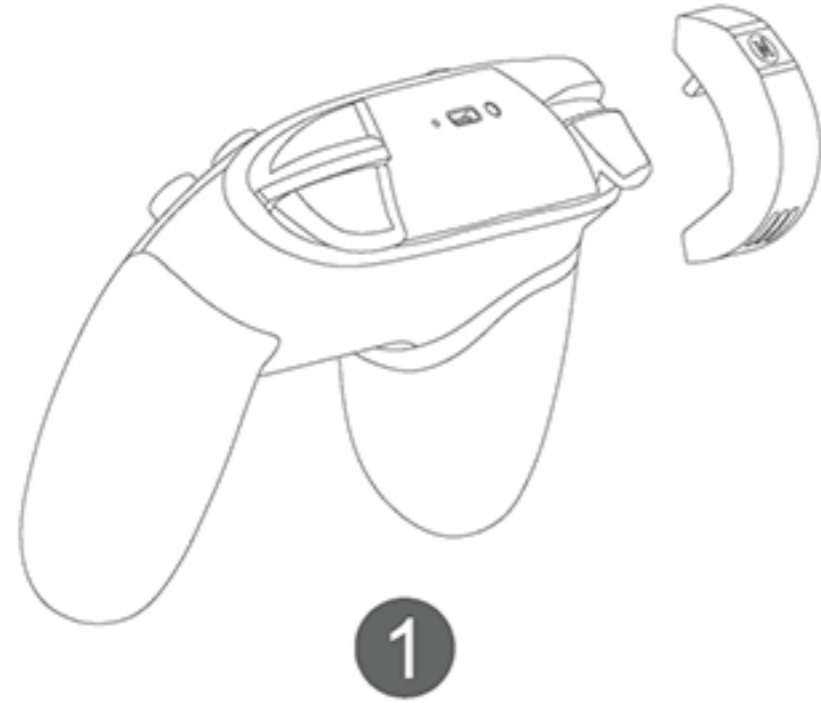
PD: 3.0

HDMI:

4K/30Hz

USB: 3.0

1. Insert the corresponding charging adapter into the controller. When charging, the controller's charging indicator light turns white. When fully charged, the controller's charging indicator light stays on white.



1



2

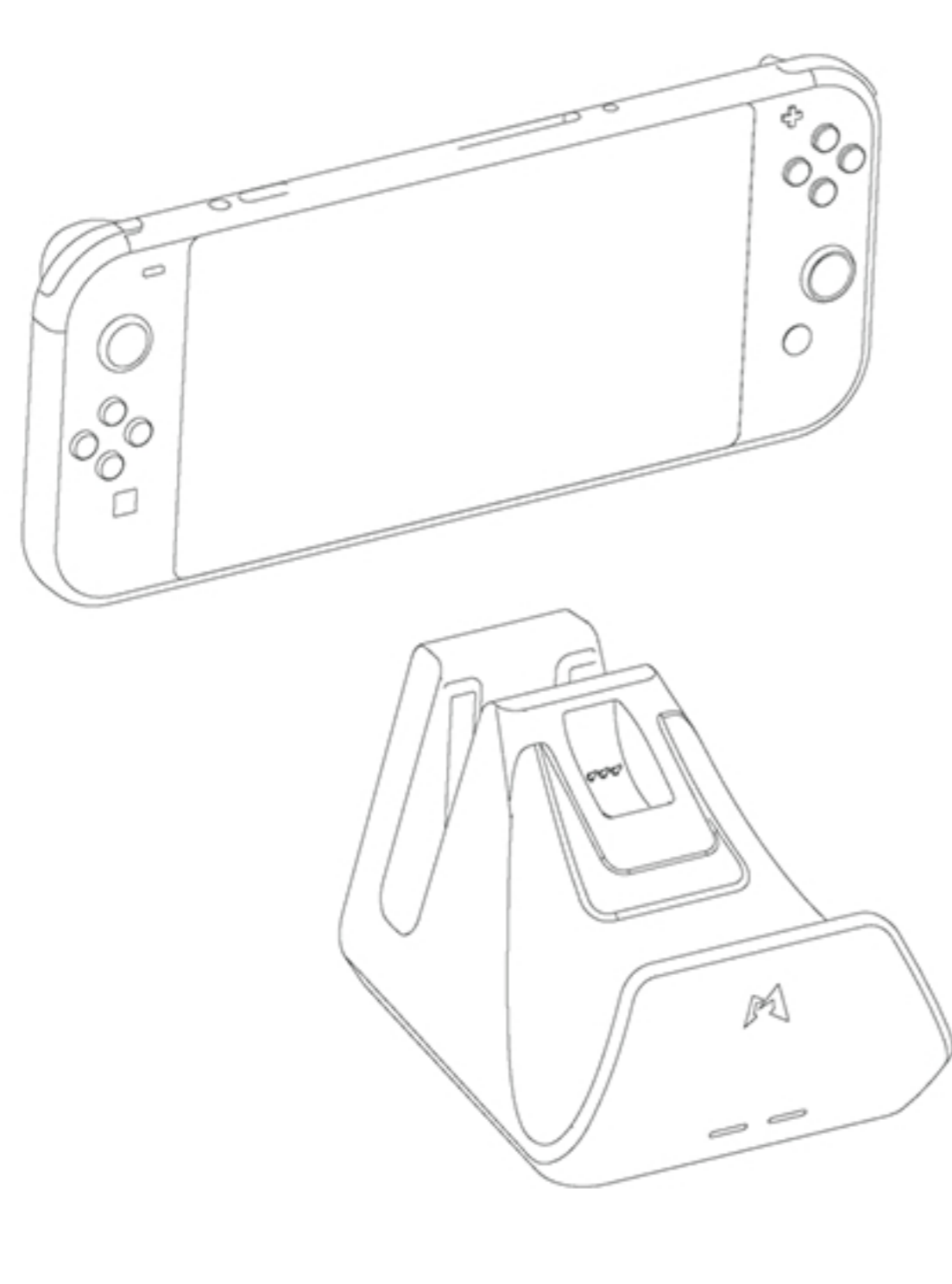


3

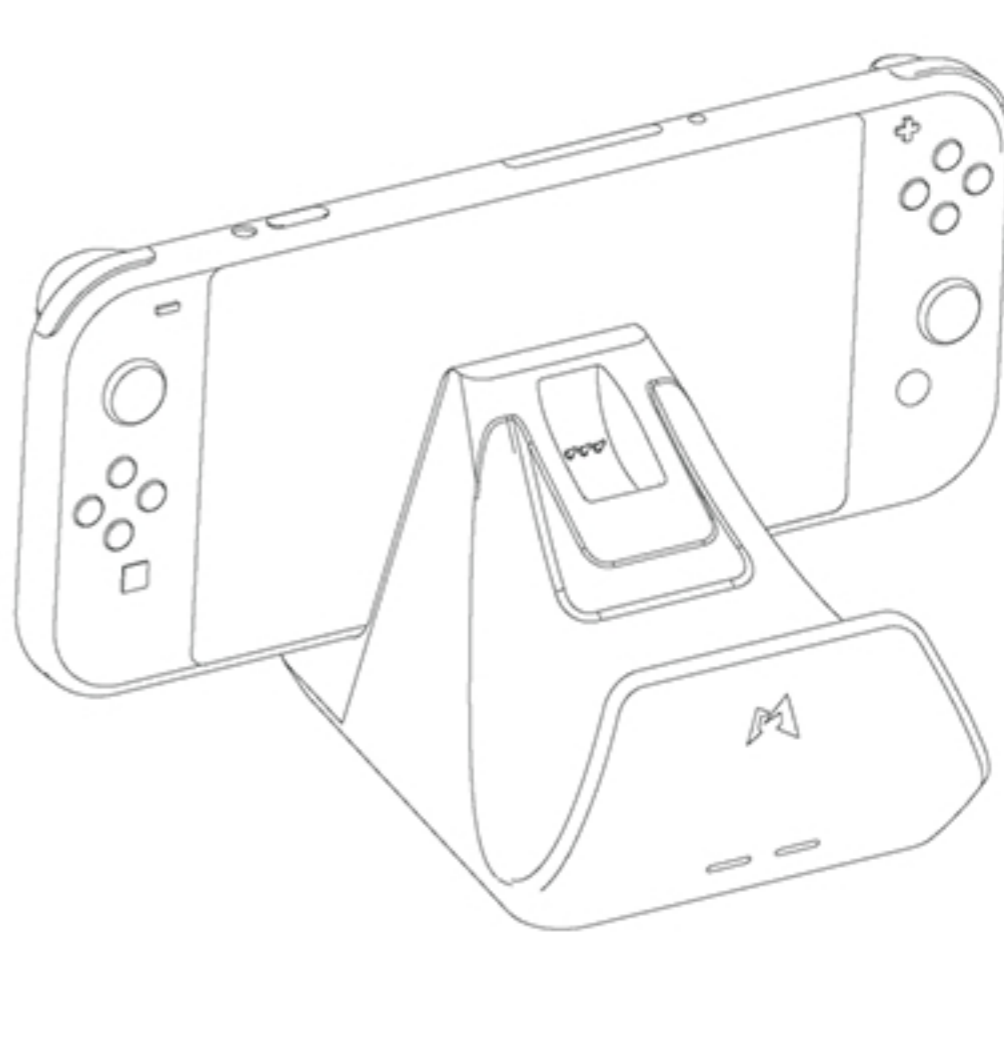


4

2. Insert the Switch console into the dock. When charging, the Switch charging indicator light turns white. When fully charged, the Switch's charging indicator light stays on white.



1



2

Package Contents

Mobapad Switch TV Docking Station x1

Charging Adapters:

M (Mobapad Pro-HD) x1

N (Switch Pro) x1

User Manual x1



User Manual

Safety Instructions

- 1.The product can be powered only by a standard PD power adapter.
- 2.Avoid disassembling or dropping.
- 3.Keep away from rain or moisture.
- 4.Avoid using the product in high temperatures; it is recommended to use this product in an environment between -10°C and 35°C.
- 5.Put the product out of reach of children for safety.